



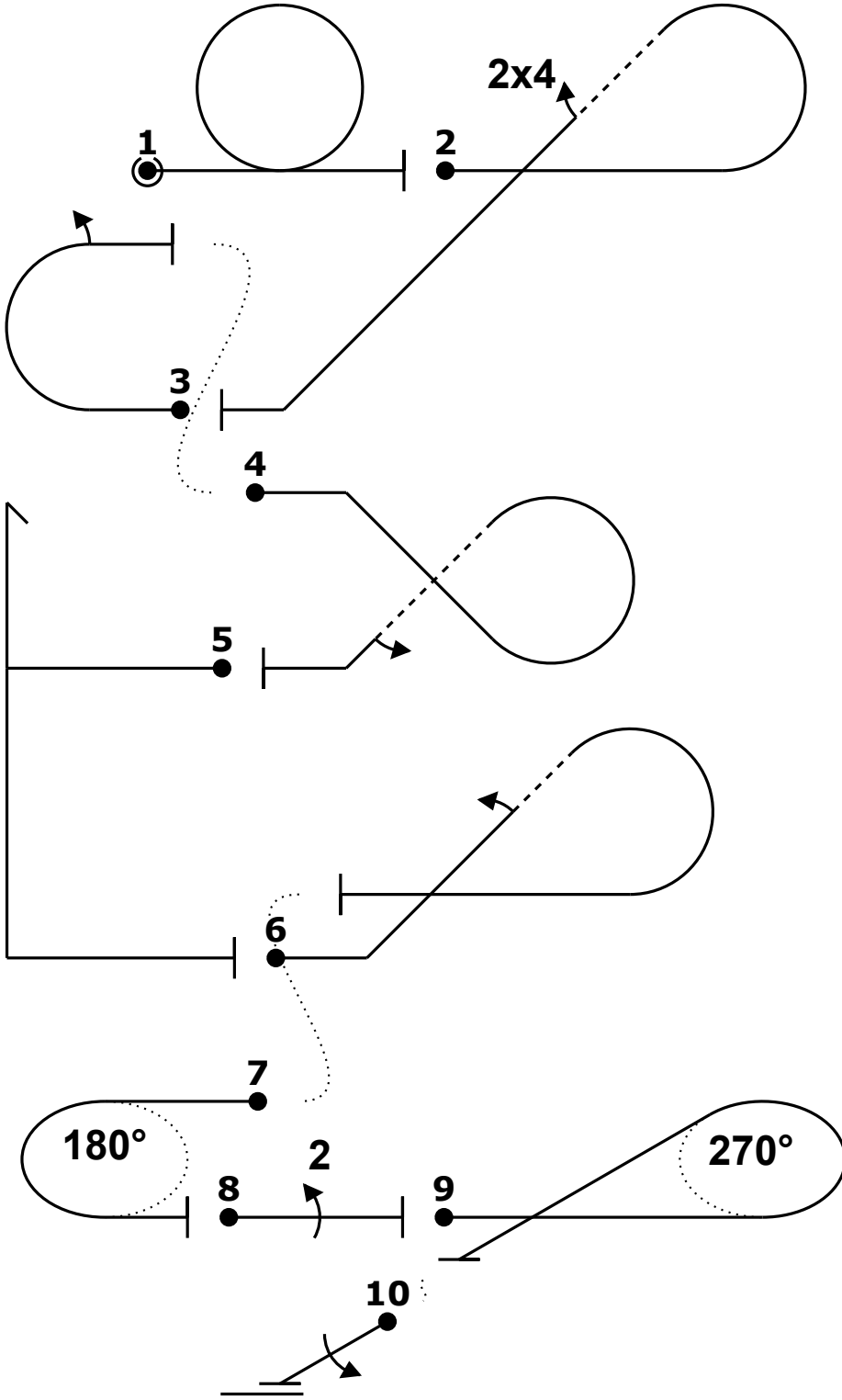
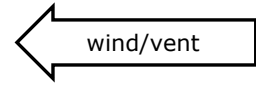
2024		Form A
Pilot ID	DKuV Sportsman Known 1	Flight #

No	Symbol	Cat. No.	K	Total K	Grade	Pos	Remarks	Item	K	Grade
1		7.4.1.1	10	10	.			Pos.	20	
2		8.5.6.1 9.4.4.2	10 5	15	.			Fig K		Total K
								116		136
3		7.2.2.1 9.1.3.2	6 4	10	.			Penalties		
								Too Low		
								Too High		
								Interruptions		
								Insertions		
								Trg Violation		
								Wing Rocks		
								Disqual Fig		
								Other(note...)		
4		7.3.3.3 9.1.4.2	14 4	18	.			Final Freestyle		
5		5.2.1.1	17	17	.			Duration	Min	Sec
6		8.5.2.1 9.1.2.2	10 6	16	.			Judges Details		
								Signature		
7		2.2.1.1	4	4	.			Name		
								Number		
8		1.1.1.1 9.2.3.4	2 9	11	.					
9		2.3.1.1	5	5	.					
10		1.1.1.1 9.1.3.4	2 8	10	.					

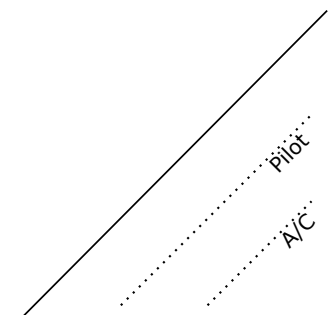
_____ Pilot
 A/C



2024		Form B
Pilot ID	DKuV Sportsman Known 1	
	Flight #	



Power			
Fig	Aresti	K	
1	7.4.1.1	10	10
2	8.5.6.1 9.4.4.2	10 5	15
3	7.2.2.1 9.1.3.2	6 4	10
4	7.3.3.3 9.1.4.2	14 4	18
5	5.2.1.1	17	17
6	8.5.2.1 9.1.2.2	10 6	16
7	2.2.1.1	4	4
8	1.1.1.1 9.2.3.4	2 9	11
9	2.3.1.1	5	5
10	1.1.1.1 9.1.3.4	2 8	10
Total K = 116			





2024		Form C
Pilot ID	DKuV Sportsman Known 1	
		Flight #

